

PRIMOS II LED



CE IP65

INSTALLATION AND MAINTENANCE MANUAL **EN**

MOUNTING TYPE

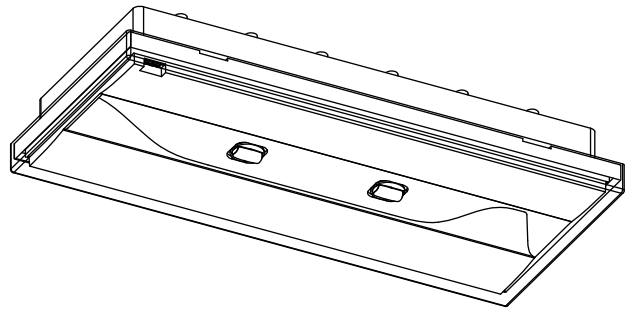
Directly to the wall or ceiling. For other mounting types see: „Mounting accessory for PRIMOS family of luminaires” in product data sheet

OPERATING MODE

- NM** - NON-MAINTAINED - luminaire operates in emergency mode after power supply failure
- SM** - MAINTAINED - lighting provided all the time, in case of power supply failure switches automatically into emergency mode

SYSTEM VARIANT

- CB** - luminaire supplied from HVCBS (230V AC/216V DC), without address module
- CBAM** - luminaire supplied from the HVCBS (230V AC/216V DC), with built-in address module and operating mode selection
- LV** - luminaire supplied with 24V DC
- LVAM** - luminaire supplied with 24V DC from the LVDBS system, with built-in address module and operating mode selection



SIZE OF EXIT SIGN

30x15 - ISO 7010 compliant exit sign with the dimensions of 30x15 cm and a viewing distance of 30 meters

TECHNICAL DATA

Supply voltage	CB	230V AC 50/60Hz 80-275V DC
	CBAM	230V AC 50/60HZ 170-275V DC
	LV/LVAM	10-32V DC
Current consumption	CB	16/34/41 mA @216V DC
	CBAM	20/38/45 mA @216V DC
	LV	122/272/382 mA @24V DC
	LVAM	130/280/390 mA @24V DC
Protection class	CB/CBAM	II
	LV/LVAM	III
Ingress protection		IP65
Light source type		LED modules ¹⁾

Light colour temperature 5700K

Light source power 2W, 5W, 7W

Light source lifespan > 50 000h

Ambient temperature range	2W	TS: -10 - +55°C; TE: ²⁾ -25 - +60°C
	5W, 7W	TS: -10 - +45°C; TE: ²⁾ -25 - +50°C

Supply cable cross-section area 0,5 - 2,5mm²

Supply cable diameter ≤ 13mm

Suitable for through wiring YES

Suitable for surface wiring YES

¹⁾ Non-exchangeable, but serviceable light source; ²⁾ Extended temperature range version

SAFETY

- During the installation and usage of emergency luminaires, follow the national safety rules as well as generally accepted technical rules
- Supply voltage should never be removed from the permanent phase by any external switches, relays or contactors (BMS, wall switch, etc.)
- During usage of emergency luminaires keep a register of inspection reports
- Luminaire installation or maintenance has to be preceded by turning off the power supply and battery
- Ensure that all foreign bodies are removed before the luminaire power is switched on
- The luminaire is to be used undamaged and in accordance with specifications
- The luminaire designed for use inside the building.

The above-mentioned luminaire is a fire protection equipment and therefore falls within relevant standards and regulations.



NOT OBEYING THE SAFETY INSTRUCTIONS AND RECOMMENDATIONS CAN CAUSE LIFE THREAT OR EVEN DEATH

Not obeying this instruction manual can result in luminaire damage and loss of warranty

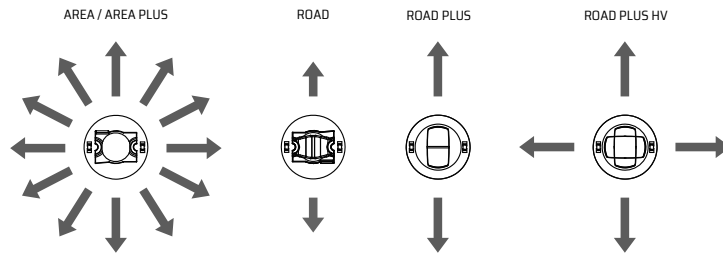


DO NOT STARE AT THE OPERATING LIGHT SOURCE

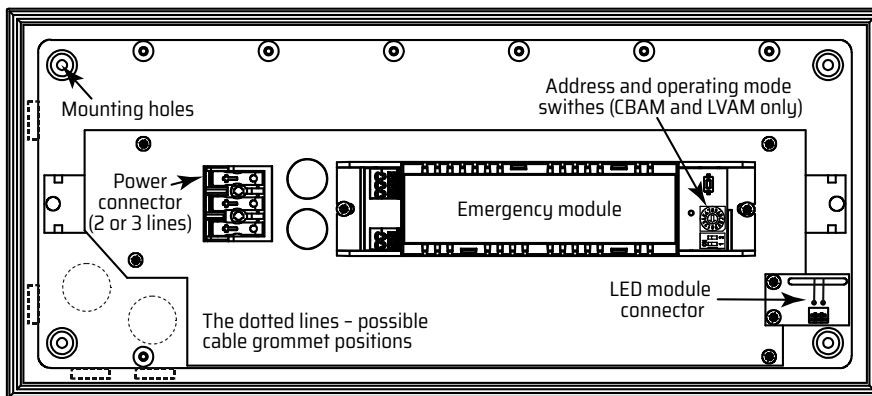
The luminaire should be positioned so that prolonged staring into the luminaire at a distance closed than 0.5m is not expected

OPTICS

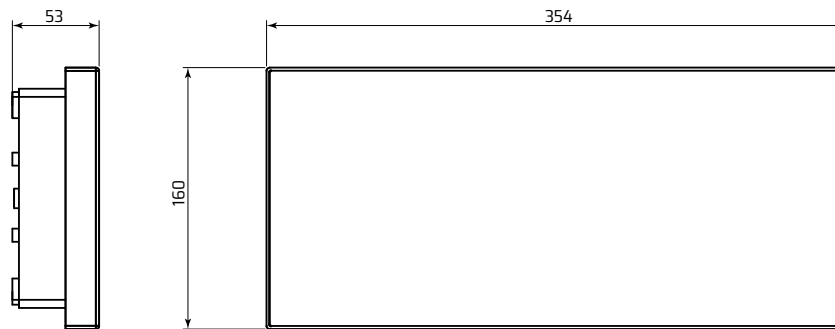
- AREA** - symmetrical light distribution in all directions, recommended for use in places of considerable height or to illuminate fire points
- AREA PLUS** - symmetrical light distribution in all directions, ensuring adequate illumination on a large area
- ROAD** - light distribution mainly along the escape route, recommended for use in high corridors
- ROAD PLUS** - light distribution mainly along the escape route with a much greater range than for the ROAD optics, for small heights
- ROAD PLUS HV** - used to illuminate escape routes at the point of their intersections



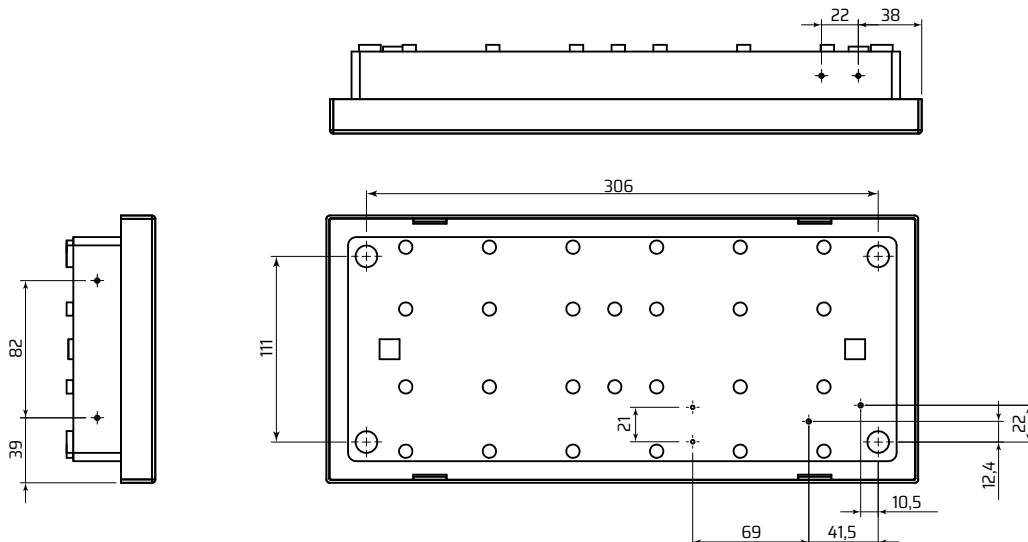
CONSTRUCTION



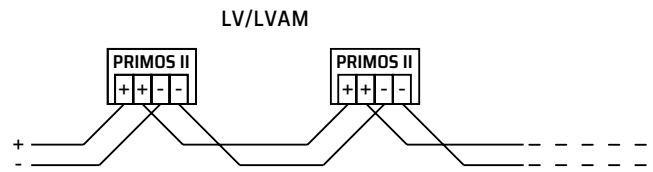
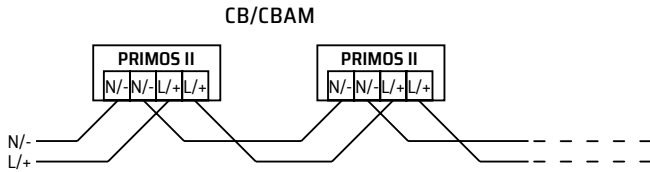
DIMENSIONS (MM)



MOUNTING DIMENSIONS (MM)



WIRING DIAGRAMS

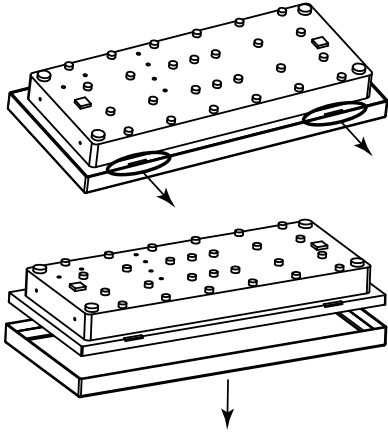


BEFORE ANY INSTALLATION OR MAINTENANCE WORK IS PERFORMED ON THE LUMINAIRE THE POWER SUPPLY SHOULD BE DISCONNECTED

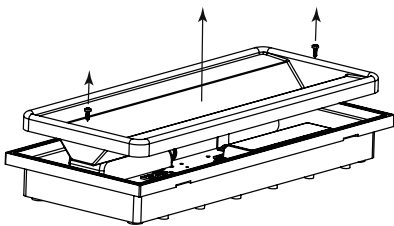
All installation and maintenance procedures can be performed only by qualified, properly trained and if appropriate, certified staff

INSTALLATION

1. Unpack the luminaire after transport and verify its condition.
2. Drill holes in ceiling according to luminaire mounting hole spacing shown on second page, so that cables can be pushed freely into the luminaire through the appropriate grommets. Use dowels and screws appropriate for the material luminaire is being mounted to.
3. Bend the luminaire lampshade on one side and pull down gently and then repeat the same on the other side of luminaire.

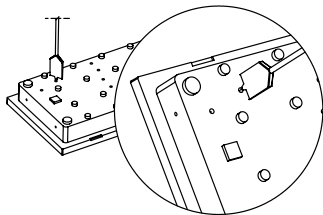


4. Unscrew the two screws holding the masking shade and remove it after disconnect the wiring harness from the LED module connector.

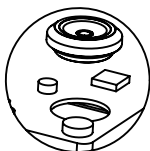


5. Drill grommet holes with a diameter of Ø20 for power supply grommets and with a diameter of Ø12 for communication system cable (see mounting dimensions).

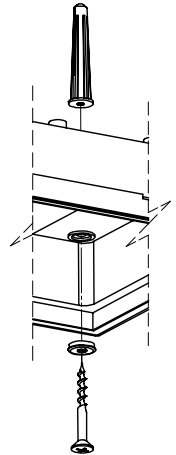
Use spade drill bits and do not exceed 600rpm.



6. Mount grommets and remove their inner part using a wire or a small screwdriver.



7. Screw the luminaire to ceiling (EPDM rubber of washer should face to luminaire body as shown on the drawing) pushing power supply cables through grommets. Remember that cable jackets should extend beyond the grommet.

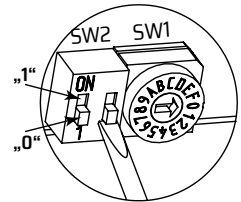
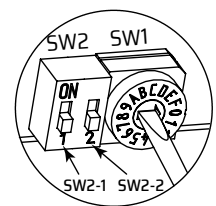


8. Connect power supply cables to the power supply connector as shown on the wiring diagram on second page. Conductor insulation should be stripped by 8-9mm. Cables should be carefully arranged so that no shadow is present on pictogram. The luminaire may be through wired.

WARNING! The L phase has to be the same as the one used for the supply of normal luminaires, where after power loss on it the luminaire goes into emergency operation (permanent phase).

9. In case of luminaires with built-in address module:
 - a. set luminaire address using the rotary switch SW1 and second slider of SW2 switch (SW2-2). Setting the SW2-2 position to „1” means adding 10 to the address, according to the table below.

SW2-2	SW1	Address	SW2-2	SW1	Address
0	1	1	1	1	11
0	2	2	1	2	12
0	3	3	1	3	13
0	4	4	1	4	14
0	5	5	1	5	15
0	6	6	1	6	16
0	7	7	1	7	17
0	8	8	1	8	18
0	9	9	1	9	19
0	A	10	1	A	20



- b. using the first slider of SW2 switch (SW2-1) select the operating mode. Position „1” - maintained (M), position „0” - non-maintained (NM).
10. Mark the operating mode on the luminaire label. Mark 0 for maintained mode (M) and 1 for non-maintained mode (NM).

11. Insert and screw the masking shade (reverse of step 4).
12. Install the lampshade (reverse of step 3). Pay attention that all four hooks clamp on the grooves on the back of luminaire.
13. Perform the commissioning procedure.

COMMISSIONING

After all installation procedures are finished, luminaire operation needs to be verified.

Follow the instructions below:

1. Switch the luminaire power supply on the HVCBS (CB, CBAM) or LVDBS (LV, LVAM) system.
2. For luminaires without built-in address module (CB, LV):
 - a. Leave luminaire operating and verify light source operation – should be operating.
 - b. Turn off luminaire power supply.
3. For luminaires with built-in address module:
 - a. Configure the HVCBS/LVDBS system.
 - b. Configure HVCBS/LVDBS circuit as maintained.
 - c. If required, switch between maintained and non-maintained luminaire operating mode.
 - d. Run the functional test on HVCBS/LVDBS system.
 - e. Verify luminaire operation. The light source should operate properly.
 - f. Verify if the HVCBS/LVDBS system reports proper luminaire operation.

MAINTENANCE

Luminaire should be cleaned with a damp cloth according to building maintenance plan.

Do not use abrasive cleaners, solvents, substances and cleaning agents containing alcohol to clean the lampshade.

The light source used in this luminaire may only be replaced by the manufacturer, his service agent or a similar qualified person.

STORAGE

The luminaire should be stored no longer than 6 months from the date of purchase, in a dry place with an ambient temperature range of -10 – +30°C.

WARRANTY

Warranty is valid and enforceable only when manufacturer's recommendations are preserved, and the installation and usage are proper. Warranty is granted for a period of 12 months from the date of sale, unless the luminaire has been sold under different contract conditions. The warranty is excluded in case of misuse, unsuitable use, wrong connection or mechanical defects of the luminaire caused by the client.